

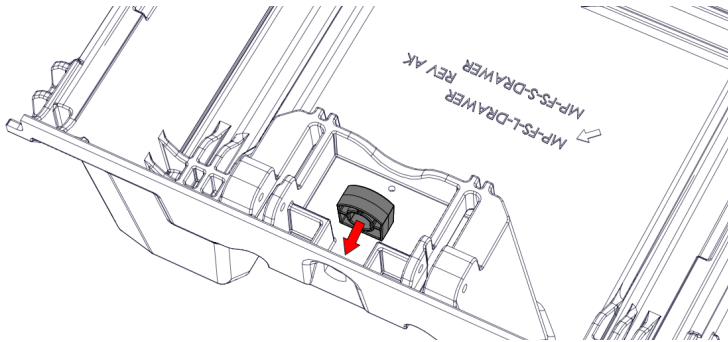


# HOW TO: DRAWER LOCKS AD30

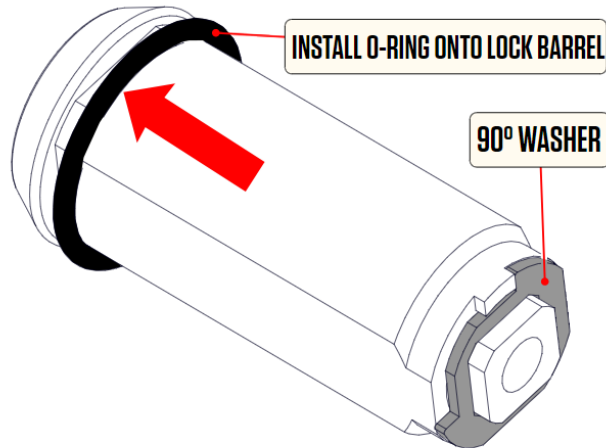
DECKED LOCKS ARE DESIGNED AS AN ADDITIONAL LINE OF DEFENSE IN KEEPING YOUR GEAR SECURE. WE HIGHLY RECOMMEND SAVING YOURSELF A BRAIN CRAMP AND FOLLOW THESE INSTRUCTIONS.

**TOOLS REQUIRED :** Phillips screwdriver, 7/8" socket or wrench

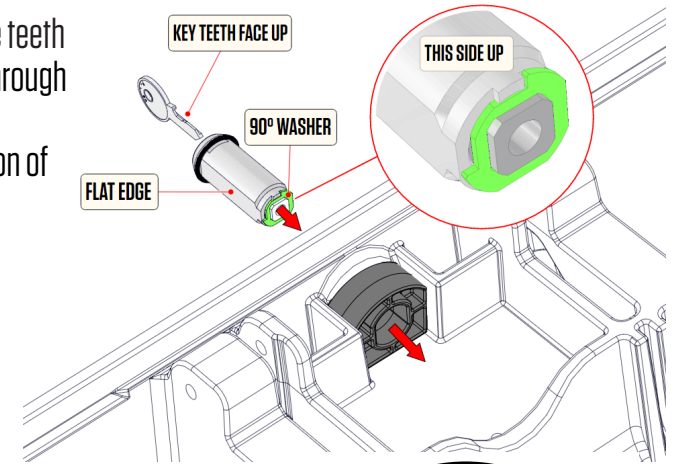
**STEP 1 :** Install one anti-rotation support in each drawer, flat side down.



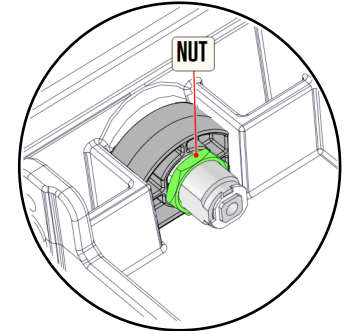
**STEP 2 :** Install one rubber o-ring onto each lock barrel:



**STEP 3 :** Insert key into lock core with the teeth facing up. Insert the lock core through the drawer and the anti-rotation support - note the correct position of the 90° washer.

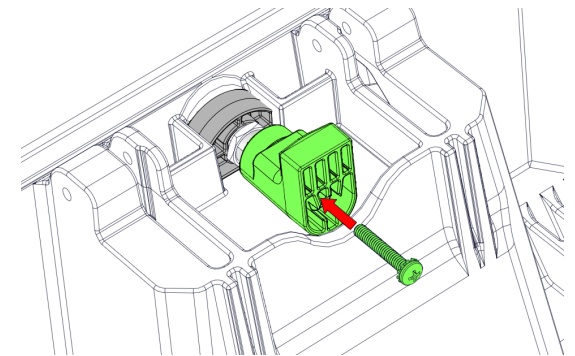


**STEP 4 :** Install lock core nut and tighten with a 7/8" socket or wrench.



**STEP 5 :** Align and seat pawl onto lock core with the lock arm facing up.

Install the lock screw with a Phillips screwdriver. Tighten until snug.



THESE MIGHT BE USEFUL: Watch installation videos at [www.DECKED.com/video](http://www.DECKED.com/video) or scan here:

DECKED.COM | 208-806-0251

FOLLOW US:



@DECKEDUSA | #DECKEDUSA