

**TRUXEDO® LO PRO QT REPLACEMENT PARTS**

1 * Truxedo® Lo Pro QT Replacement Cover	11 1704715 Extruded Retainer Loop	21 * Side Rail, Passenger's Side
2 * Black Front Header	12 * _____	22 * Side Rail, Driver's Side
3 * Header Seal, Notched	13 1701595 End Plug, 1" OD	23 1114773 Flat Spring, 5/8" x 3 7/8"
4 1117540 Front Header 08 End Plugs (Set of Two)	14 * Black Bow	24 1704213 Latch Assembled
5 1704604 Header Guide_QT	15 1702992 Spring Plunger, 5/8" x 2.15"	25 1702926 Cap Screw, 5/16" x 7/8"
6 * _____	16 1703260 Tension Control Bracket	26 1704187 Header Stop
7 * Safety Strap	17 1115354 Header Insert Safety Clip	27 1115373 Side Rail End Plugs w/Seal (Set of Two)
8 1700428 Washer Flat 5/16"	18 * Hook and Loop Fasteners	28 1704383 Filister Head Screw
9 1704606 Cap Screw, 5/16-18 x 5/8"	19 1703332 Hitch Pin, 1/16" x 1 5/16"	29 1117467 Rear Header 08 End Plugs (Set of Two)
10 1117591 Header Guide Retainer.	20 1115191 Aluminum Clamp Assy	30 * Black Rear Header
		31 1704194 Weld Nut 5/16-18 ZP

\* Please specify length or make and model of vehicle.

**OWNER'S MANUAL**  
Truxedo® Lo Pro QT



**TRUXEDO**  
Lo Pro QT  
Patented

PREMIUM SOFT ROLL-UP TONNEAU COVER

2209 Kellen Gross Dr., Yankton SD 57078

Phone: 1-877-TRUXEDO (1-877-878-9336) Fax: (605) 664-9304

Web Site: <http://www.truxedo.com>

P/N 1116967 Rev. R

**LIFETIME WARRANTY**

Truxedo warrants that all new, unused products are free from defects in material and workmanship. This Warranty is effective if the product is properly installed and used for the purpose intended for the life of the product. It applies to the original buyer only. Truxedo's obligation under this Warranty is limited to repairing, or at its option, replacing any part that is returned, transportation prepaid, to Truxedo, Yankton, South Dakota, if the product is, in our judgment, defective. All materials must be accompanied by an RMA (Returned Material Authorization) number requested by and authorized in advance of returning the materials. Truxedo shall not be liable or responsible to supply or pay labor to replace any part found defective, nor shall it be liable for any damages of any kind or nature to person, product, or property.

There are no Warranties for used products or products that have been repaired, altered, modified, subjected to misuse, negligence, accident or ordinary wear and tear. Limitations may apply to logo screen printing. Call 1-877-878-9336 for complete details.

Truxedo products are sold without any express warranty except as set forth above. Truxedo is not obligated to honor warranty claims if Genuine Truxedo parts are not utilized.

**DIRECT ALL WARRANTY CLAIMS TO TRUXEDO AT 1-877-878-9336**

Register online at [www.truxedo.com](http://www.truxedo.com) or mail this form to:  
Truxedo, P.O. Box 1078, Yankton, SD 57078-1078

Name: _____	Product Purchased:
Address: _____	<input type="checkbox"/> Original Truxedo
City: _____ State: _____ Zip: _____	<input type="checkbox"/> Truxedo Lo Pro QT
Phone Number: _____	<input type="checkbox"/> TruxedoPlus
Email Address: _____	<input type="checkbox"/> TruXport
Date Purchased: _____ Price Paid: _____	<input type="checkbox"/> Truxedo Deuce
Dealer Name: _____	<input type="checkbox"/> TonneauTraX
Pickup Make: _____	<input type="checkbox"/> TonneauMate
Model: _____ Year: _____	<input type="checkbox"/> Edge

**OWNER/USER RESPONSIBILITIES**

It is the responsibility of the owner/user to read this manual and comply with the operating procedures. The owner/user is also responsible for inspecting the Truxedo® cover, and for having parts repaired or replaced when worn or damaged.

Failure to follow safety instructions and warning labels could result in failure of your cover system and/or personal injury.

**MESSAGES TO INSTALLER**

- Always wear safety glasses and/or other necessary protective equipment when installing your Truxedo®.
- These instructions are complete for most pickup models. Additional instructions are included, if required for your truck. Please read entire manual before installing your Truxedo®.

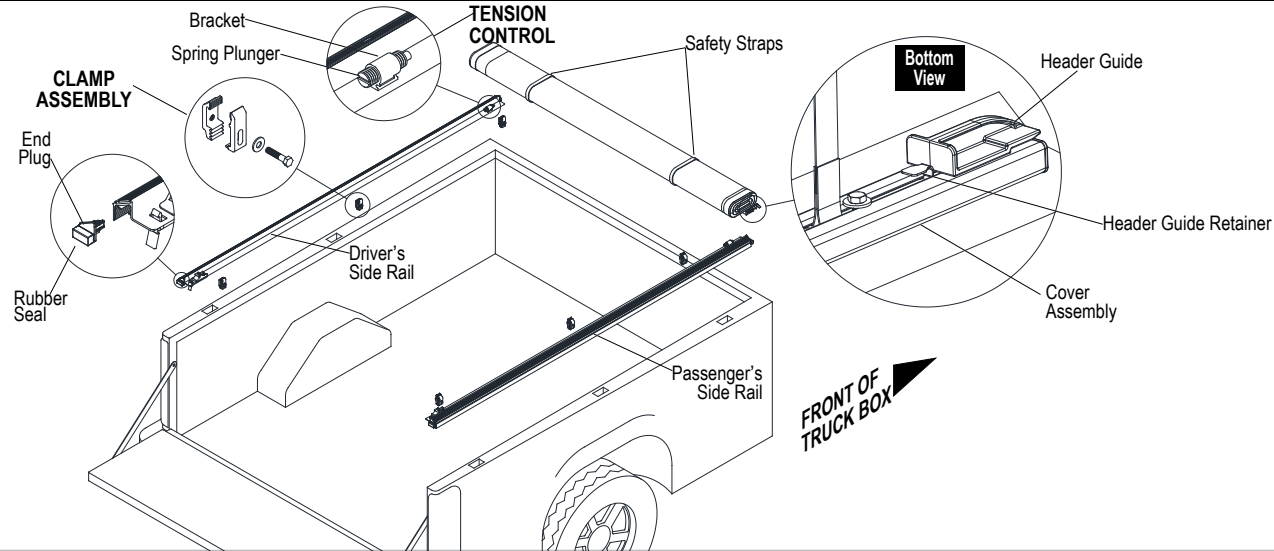
**COVER MAINTENANCE**

Vinyl cover can be hand washed with mild soap and water or cleaned in a car wash. Thoroughly rinse cover to remove any soap residue. Cover can be treated with any vinyl protectant made for tonneau covers. **Never use silicon, petroleum, or citrus based products on your tonneau cover.**

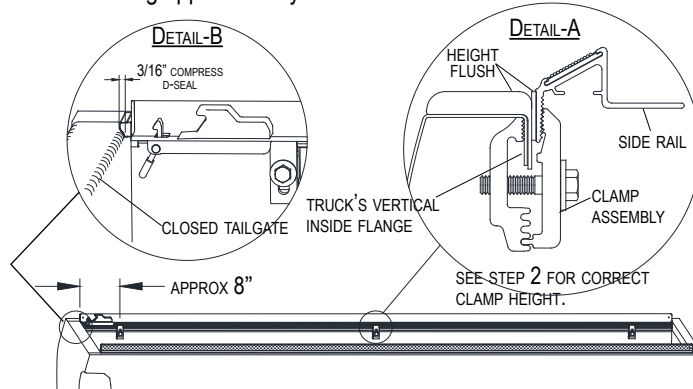
**SAFETY INSTRUCTIONS**

1. Do not place objects on or against cover or framework.
2. Do not tie cargo to Truxedo® framework.
3. **Never allow children or pets to occupy pickup box while cover is closed.**
4. Cover is not airtight. Special care is required to keep cargo clean and dry.
5. Fabric cover won't prevent theft of contents inside truck box.
6. Cover must be rolled fully open and secured with safety straps when towing vehicle backwards.

## SIDE RAIL & COVER INSTALLATION

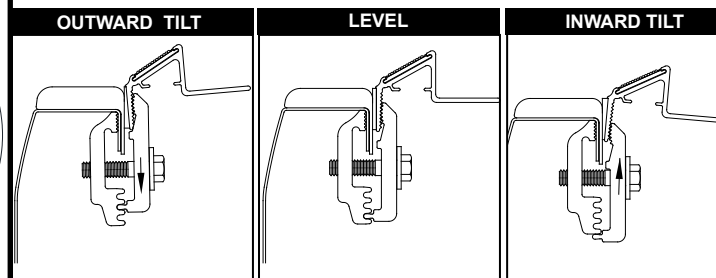


**STEP 1:** Attach the TruXedo rails to the truck's vertical inside flange as shown in Detail A. To get the correct TruXedo rail alignment from front to back, See Detail-B. Compress the rear D-seal against the closed tailgate and hold. Attach clamps starting at the tailgate. Evenly space 3 clamps along each TruXedo rail, leaving approximately 8" on each end.



**STEP 2:** For optimum latching performance and cover fit, side rails must be level. To adjust rails, loosen screws and reposition male clamps higher or lower. Tighten all clamps.

**WARNING** Tighten clamps securely on side rails before driving vehicle.

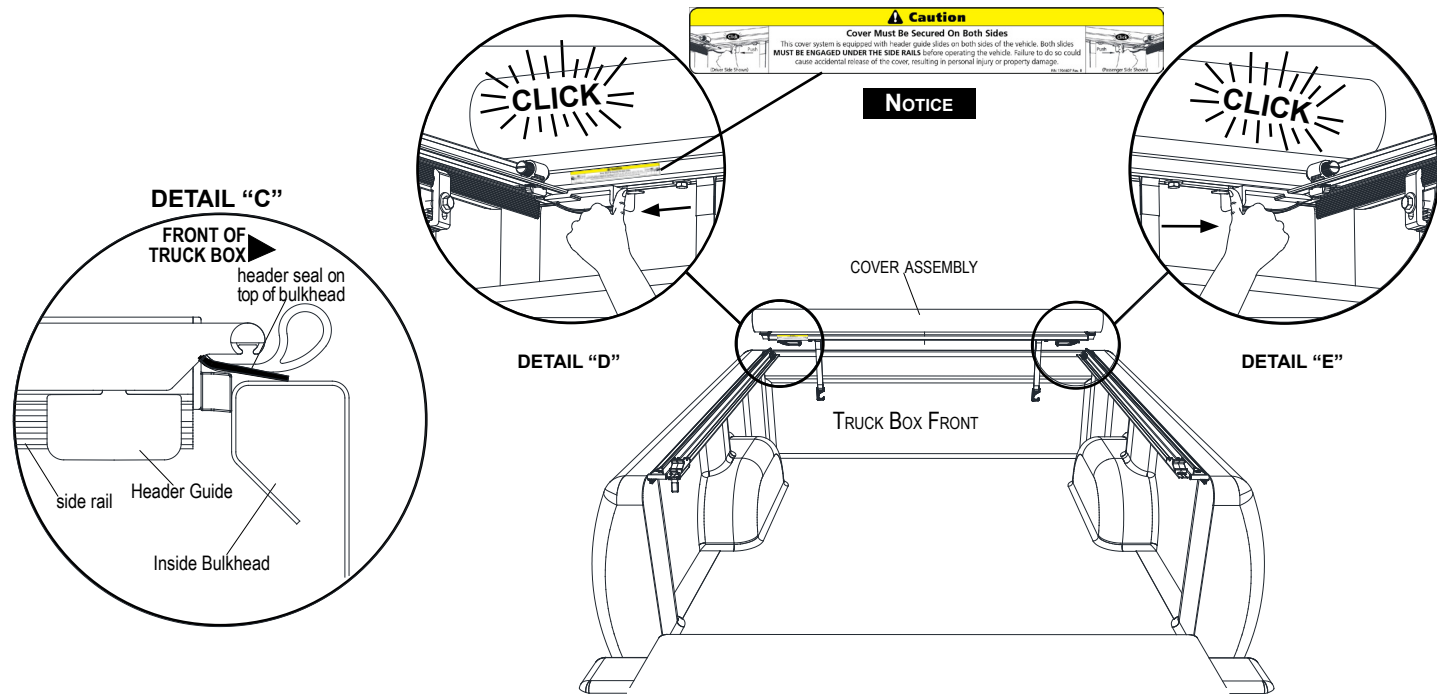


LOWER CLAMP      CORRECT      RAISE CLAMP

**NOTE:** Clamp configurations shown are for reference only and are not intended to be standard for all pickups.

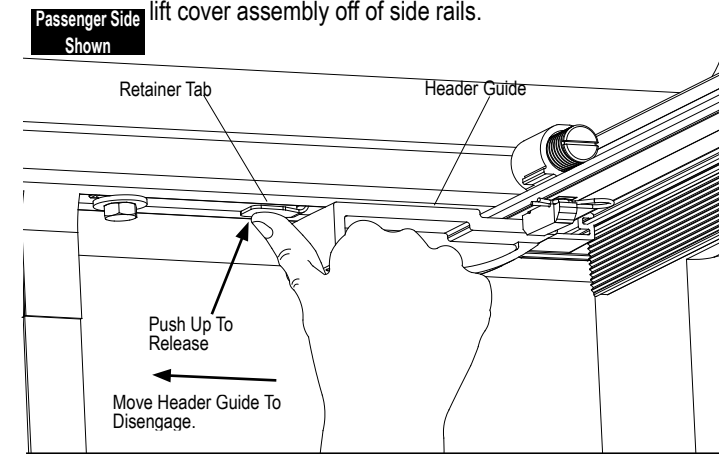
**STEP 3:** Set cover assembly behind cab with header seal on top of of bulkhead. See detail C.

**STEP 4:** Push header guides into place under side rail. A **click** sound will indicate a secure attachment. See detail D & E below.

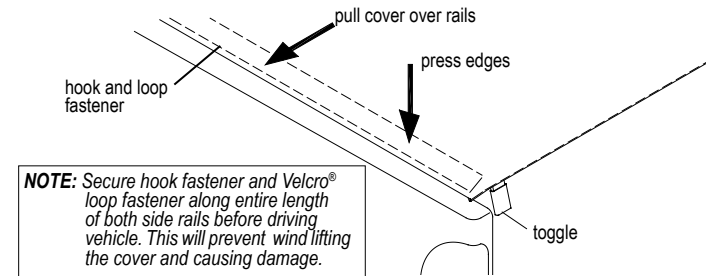


## HOW TO REMOVE COVER ASSEMBLY

**STEP 5:** If you want to remove cover assembly push up on retainer tab with thumb and pull header guide over retainer until it stops. Do this for both passenger and driver side. Then lift cover assembly off of side rails.



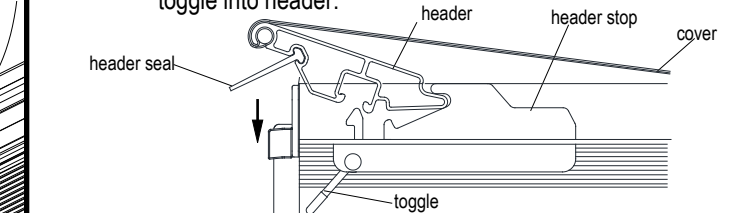
**STEP 7:** Secure hook fastener and Velcro® loop fastener strips on one side of rail, by pressing along full length of rail. Pull cover tight across pickup bed, and secure fasteners on opposite side rail.



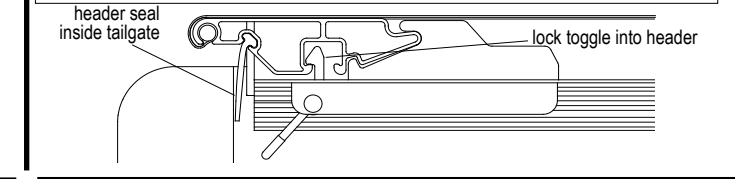
**NOTE:** Secure hook fastener and Velcro® loop fastener along entire length of both side rails before driving vehicle. This will prevent wind lifting the cover and causing damage.

## LATCHING & UNLATCHING COVER

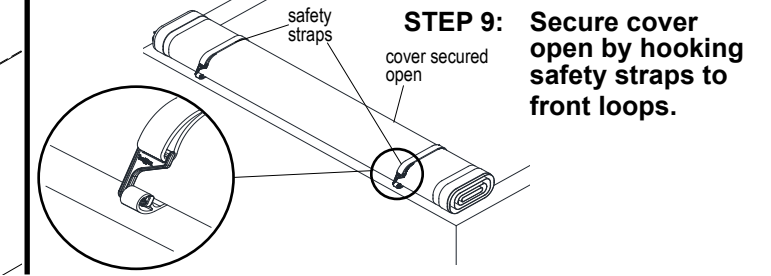
**STEP 6:** Always close cover before closing tailgate. Unroll cover toward tailgate and rest bows on side rails. Rotate header into header stops and press down to lock toggle into header.



**NOTE:** If tailgate has a key lock, TruXedo® is secured until tailgate is unlocked and opened.

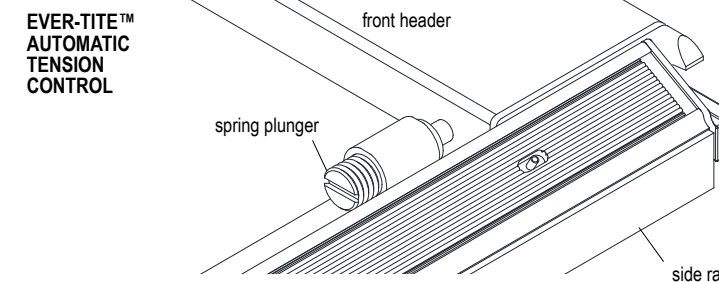


**STEP 8:** To release cover, Trigger pull rear release toggle. Start rolling cover toward cab making sure both sides of cover roll evenly. For best results leave unrolled portion of cover attached to the hook fastener and Velcro® loop fasteners while opening.



**STEP 9:** Secure cover open by hooking safety straps to front loops.

## COVER TENSION ADJUSTMENT

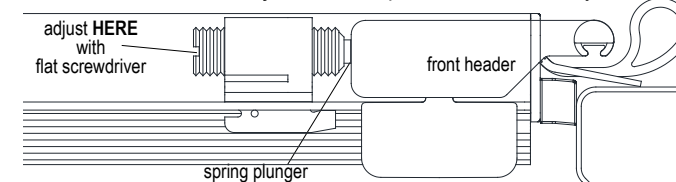


• Spring plunger compensates for material expansion & contraction caused by temperature changes.

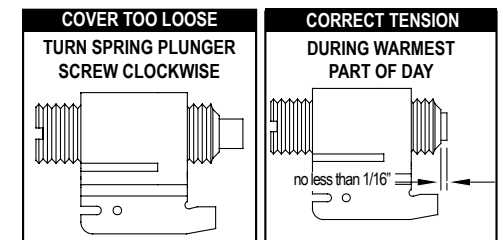
• Check cover tension after installation, seasonally, and after extreme temperature changes.

• For best performance, adjust tension regularly to protect your cover against wind wear.

**STEP 10:** Set tension during warmest part of day. With cover closed, release hook and loop fastener from both side rails near cab. Check compression of both spring plungers against the front header per diagram. Roll cover open and make adjustments. Close cover and re-check adjustment. Repeat until satisfactory tension has been achieved.



**NOTE:** Adjust tension in small increments. Slight adjustments will gain significant results.



## TROUBLE SHOOTING

### Questions?

Call our friendly customer service staff at TruXedo Toll Free:

**1-877-878-9336**  
Mon - Fri 8 am - 5 pm CST

### HEADER WILL NOT LATCH:

Check side rails to make sure they are level. See Step 2.

Make sure the header seal is not caught between side rail & header.

Check position of side rails on pickup box, they may be positioned too low. See Step 1.

Make sure cover has proper tension. See Step 9.

**FABRIC COVER IS TOO TIGHT OR TOO LOOSE:** See Step 9 to adjust tension.

\* VELCRO® is a registered trademark of the Velcro companies.